

## DS-2CD2385G1-I 8 MP IR Fixed Turret Network Camera



### Key Features

- Up to 8 megapixel high resolution
- Max. 3840 × 2160 @20fps
- 2.8 mm/4 mm/6 mm fixed lens, optional
- H.265, H.265+, H.264+, H.264
- 120dB WDR
- Powered by Darkfighter
- 12 VDC & PoE (802.3af, class 3)
- IR range: Up to 30 m
- Support on-board storage, up to 128 GB
- IP67
- BLC/3D DNR/ROI/HLC
- Color: 0.008 Lux @ (F1.2, AGC ON), 0.014 Lux @ (F1.6, AGC ON)



## Specification

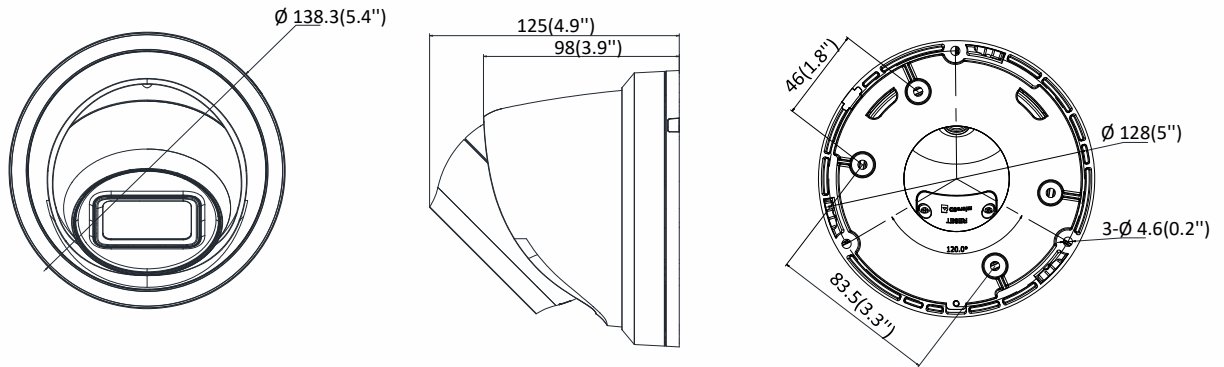
| <b>Camera</b>  |   |
|--|---|
| Image Sensor   | 1/2" Progressive Scan CMOS  |
| Min. Illumination  | Color: 0.008 Lux @ (F1.2, AGC ON), 0.014 Lux @ (F1.6, AGC ON)   |
| Shutter Speed  | 1/3 s to 1/100,000 s  |
| Slow Shutter   | Yes   |
| Focal length   | 2.8/4/6 mm  |
| Focus  | Fixed   |
| Lens   | 2.8 mm, horizontal FOV: 102°, vertical FOV: 55°, diagonal FOV: 120°<br>4 mm, horizontal FOV: 78°, vertical FOV: 43°, diagonal FOV: 92°<br>6 mm, horizontal FOV: 50°, vertical FOV: 27°, diagonal FOV: 59° |
| Lens Mount   | M16   |
| Aperture   | F1.6  |
| Day & Night  | IR cut filter   |
| DNR  | 3D DNR  |
| Wide Dynamic Range   | 120dB   |
| 3-Axis Adjustment  | Pan: 0° to 360°, tilt: 0° to 75°, rotate: 0° to 360°  |
| <b>Compression Standard</b>  |   |
| Video Compression  | Main stream: H.265/H.264<br>Sub stream: H.265/H.264/MJPEG<br>Third stream: H.265/H.264  |
| H.264 Type   | Main Profile/High Profile   |
| H.264+   | Main stream supports  |
| H.265 Type   | Main Profile  |
| H.265+   | Main stream supports  |
| Video Bit Rate   | 32 Kbps to 16 Mbps  |
| <b>Image</b>   |   |
| Max. Resolution  | 3840 × 2160   |
| Main Stream  | 50Hz: 20 fps (3840 × 2160), 25 fps (3072 × 1728, 2560 × 1440, 1920 × 1080, 1280 × 720)<br>60Hz: 20 fps (3840 × 2160), 30fps (3072 × 1728, 2560 × 1440, 1920 × 1080, 1280 × 720)                           |
| Sub Stream   | 50Hz: 25fps (640 × 480, 640 × 360, 320 × 240)<br>60Hz: 30fps (640 × 480, 640 × 360, 320 × 240)  |
| Third Stream   | 50Hz: 25fps (1280 × 720, 640 × 360, 352 × 288)<br>60Hz: 30fps (1280 × 720, 640 × 360, 352 × 240)  |
| Image Enhancement  | BLC/3D DNR/HLC  |
| Image Settings   | Rotate mode, brightness, contrast, saturation, and sharpness are adjustable via web browser and client software   |
| ROI (Region of Interest)   | Support 1 fixed region for main stream and sub stream separately  |
| Day/Night Switch   | Day/Night/Auto/Schedule   |
| *Note: When the main stream resolution is 3840 × 2160, max frame rate is 20 fps for all streams. |   |
| <b>Network</b>   |   |
| Network Storage  | Support micro SD/SDHC/SDXC card (128G) local storage, NAS (NFS,SMB/CIFS), ANR   |
| Alarm Trigger  | Motion detection, tampering alarm, network disconnected, IP address conflict, illegal login, HDD full, HDD error  |
| Protocols  | TCP/IP, ICMP, HTTP, HTTPS, FTP, DHCP, DNS, DDNS, RTP, RTSP, RTCP, PPPoE, NTP, UPnP, SMTP, SNMP, IGMP, 802.1X, QoS, IPv6, UDP, Bonjour   |

|                          |   |
|--------------------------|---|
| General Function         | One-key reset, anti-flicker, three streams, heartbeat, mirror, password protection, privacy mask, watermark, IP address filter                |
| Firmware Version         | V5.5.61   |
| API                      | ONVIF (PROFILE S, PROFILE G), ISAPI   |
| Simultaneous Live View   | Up to 6 channels  |
| User/Host                | Up to 32 users<br>3 levels: Administrator, Operator and User  |
| Client                   | iVMS-4200, Hik-Connect, iVMS-5200, iVMS-4500  |
| Web Browser              | Plug-in required live view:<br>IE8+, Chrome 41.0-44, Firefox 30.0-51, Safari 8.0-11<br>Plug-in free live view:<br>Chrome 45.0+, Firefox 52.0+ |
| <b>Interface</b>         |   |
| Communication Interface  | 1 RJ45 10M/100M self-adaptive Ethernet port   |
| On-board Storage         | Built-in micro SD/SDHC/SDXC slot, up to 128 GB  |
| Reset Button             | Yes   |
| SVC                      | H.265 encoding and H.264 encoding support   |
| <b>Smart Feature-set</b> |   |
| Behavior Analysis        | Line crossing detection, intrusion detection, unattended baggage detection, object removal detection  |
| Exception Detection      | Scene change detection  |
| Face Detection           | Yes   |
| <b>General</b>           |   |
| Operating Conditions     | -30 °C to +60 °C (-22 °F to +140 °F), humidity 95% or less (non-condensing)   |
| Power Supply             | 12 VDC ± 25%, 5.5 mm coaxial power plug<br>PoE (802.3af, class 3)   |
| Power Consumption        | 12 VDC, 0.7 A, max: 7.5 W<br>PoE: (802.3af, 36 VDC to 57 VDC), 0.3 A to 0.2 A, max: 9 W   |
| IR Range                 | Up to 30 m  |
| Wavelength               | 850 nm  |
| Protection Level         | IP67  |
| Material                 | Camera body: Metal  |
| Dimensions               | Camera: $\Phi$ 138.3 × 125 mm (5.4" × 4.9")   |
| Weight                   | Camera: 725 g (1.6 lb.)<br>With package: 966 g (2.1 lb.)  |

## Available Model

DS-2CD2385G1-I (2.8/4/6 mm)

**Dimensions**



Unit: mm

**Accessories**



**DS-1273ZJ-140**  
Wall Mount



**DS-1271ZJ-140**  
Pendant Mount



**DS-1280ZJ-DM21**  
Junction Box

Distributed by



**HIKVISION®**

**Headquarters**

No.555 Qianmo Road, Binjiang District,  
Hangzhou 310051, China  
T +86-571-8807-5998  
overseasbusiness@hikvision.com

**Hikvision USA**  
T +1-909-895-0400  
sales.usa@hikvision.com

**Hikvision Italy**  
T +39-0438-6902  
info.it@hikvision.com

**Hikvision Singapore**  
T +65-6684-4718  
sg@hikvision.com

**Hikvision Africa**  
T +27 (10) 0351172  
sale.africa@hikvision.com

**Hikvision Europe**  
T +31-23-55-42-770  
info.eu@hikvision.com

**Hikvision France**  
T +33(0)1-85-330-450  
info.fr@hikvision.com

**Hikvision Oceania**  
T +61-2-8599-4233  
salesau@hikvision.com

**Hikvision Hong Kong**  
T +852-2151-1761

**Hikvision Middle East**  
T +971-4-8816086  
salesme@hikvision.com

**Hikvision Spain**  
T +34-91-737-16-55  
info.es@hikvision.com

**Hikvision Canada**  
T +1-909-895-0400  
sales.usa@hikvision.com

**Hikvision Russia**  
T +7-495-669-67-99  
saleru@hikvision.com

**Hikvision Poland**  
T +48-22-460-01-50  
poland@hikvision.com

**Hikvision Korea**  
T +82-31-731-8841  
sales.korea@hikvision.com

**Hikvision India**  
T +91-22-28469900  
sales@pramahikvision.com

**Hikvision UK**  
T +01628-902140  
support.uk@hikvision.com

**Hikvision Brazil**  
T +55 11 3318-0050  
Latam.support@hikvision.com